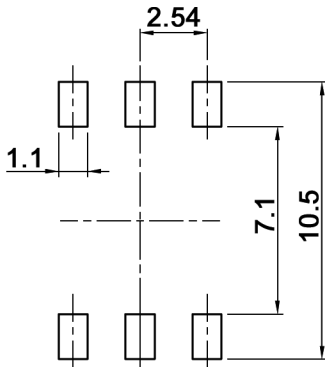


P.C.B. LAND DIMENSIONS



Y Manufacturing year

9	2019
0	2020
1	2021
2	2022

M Manufacturing month

1	January
...	...
9	September
0	October
N	November
D	December

		Real coded				
		C	1	2	4	8
10 P o s i t i o n s	0	●				
	1	●	●			
	2	●		●		
	3	●	●	●		
	4	●			●	
	5	●	●		●	
	6	●		●	●	
	7	●	●	●	●	
	8	●				●
	9	●	●			●

Compliance: RohS III (2015/863/EU)

Tolerances:	Date	Name
	10/22	dr
Material	02/23	dr
Modifications	Date	Name

**SMR 13010 (T)**

**knitter-switch**

**30 49 04**

Page

1/3

**Specifications:**

**Contact rating:** non-switching: 100 mA, 50 V DC  
switching: 100 mA, 5 V DC  
min.: 1 μA, 20 mV AC/DC

**Contact resistance:** 200 mOhm max. (1 kHz, 20 mA)

**Insulation resistance:** 1000 MOhm min. at 100 V DC for 1 minute

**Dielectric strength:** 250 V AC (50/60 Hz, 2 mA) for 1 minute

**Operating temperature:** -40°C to +85°C

**Storage temperature:** -40°C to +85°C

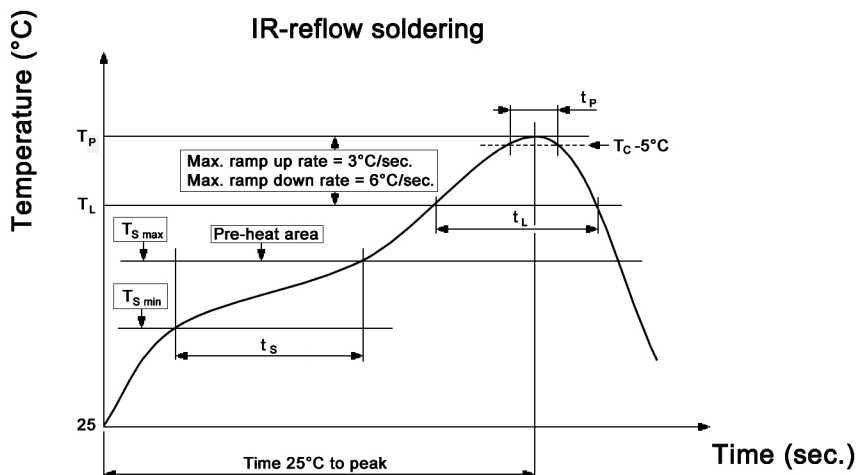
**Mechanical life:** 20 000 cycles

**Electrical life:** 20 000 cycles

**Rotational torque:** 24.5 mN.m max.

**Material:** Terminal: C5191, gold plated  
Case: LCP, dark grey  
Cover: SUS, washing  
Contact plate: BeCu, gold plated  
Spring plate: SUS, washing  
Rotor: PPA, ivory  
Gasket: silicone rubber, black

**Soldering conditions:**



$T_P = 260^\circ C$   
 $t_P = 10\text{sec. max.}$

$T_L = 217^\circ C$   
 $t_L = 90\text{sec. max.}$

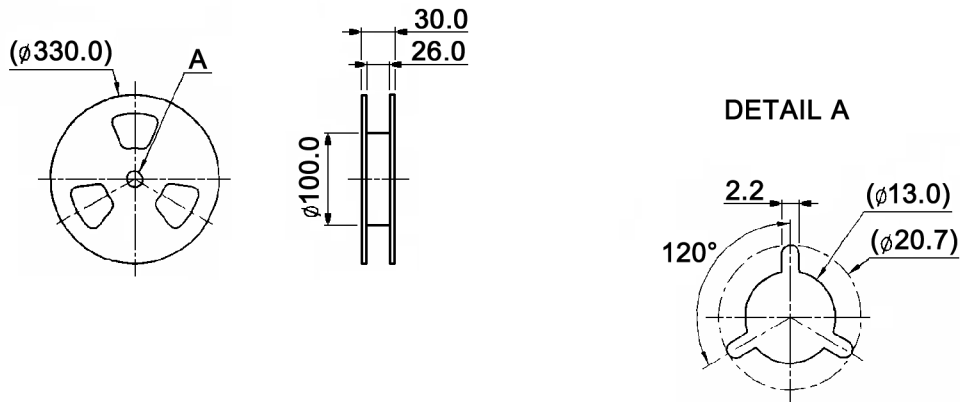
$T_{S\ max} = 200^\circ C$   
 $T_{S\ min} = 150^\circ C$   
 $t_S = 120\text{sec. max.}$

Compliance: RohS III (2015/863/EU)

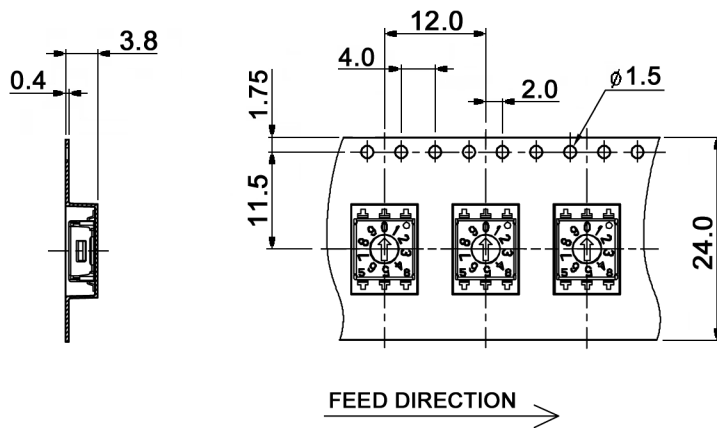
Tolerances:			Date	Name	<b>SMR 13010 (T)</b>
			10/22	dr	
			<b>knitter-switch</b>		<b>30 49 04</b>
Material	02/23	dr			Page
Modifications	Date	Name			2/3

Packaging:

REEL:

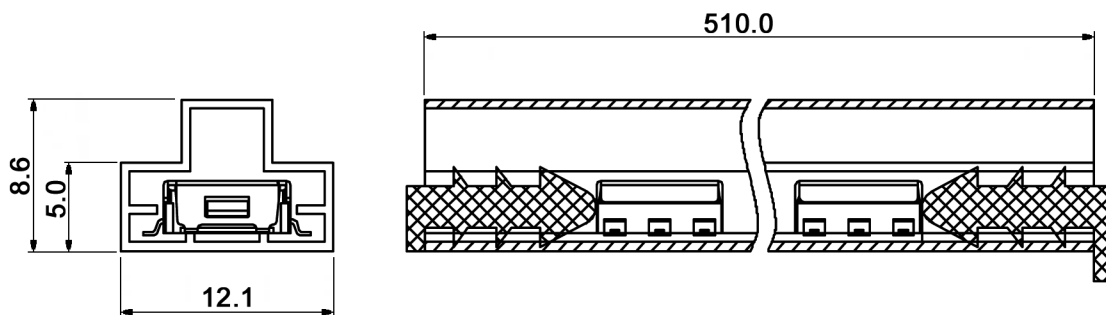


CARRIER TAPE



Ordering code	Packaging unit
SMR 13010	65 pcs. / tube
SMR 13010 T	1000 pcs. / reel

TUBE:



Compliance: RohS III (2015/863/EU)

Tolerances:		Date	Name	<h1>SMR 13010 (T)</h1>
		10/22	dr	
Material	02/23	dr	<h2>knitter-switch</h2>	<h2>30 49 04</h2>
Modifications	Date	Name		